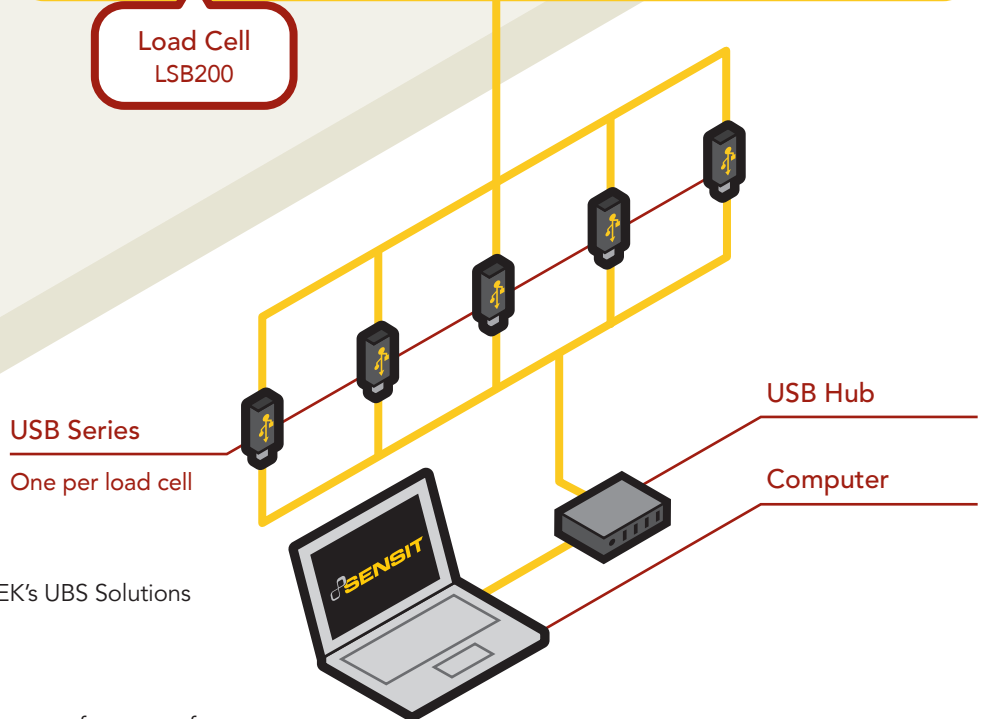


Load Cell  
LSB200



**PRODUCTS IN USE**

Miniature S-Beam Jr. (LSB200) paired with FUTEK's UBS Solutions and SENSIT Test and Measurement Software.

**APPLICATION SUMMARY**

Wire tension measurement is an integral part for manufacturers of fibers, cables, and even textile fabrics. Miniature Load Cells are used to measure the tension or compression forces of the wires.

All FUTEK application illustrations are strictly conceptual. Please contact us with questions.

**Sensor Solution Source**

Load · Torque · Pressure · Multi Axis · Calibration · Instruments · Software

[www.futek.com](http://www.futek.com)

AP1011



9001:2008

17025:2005

U.S. Manufacturer